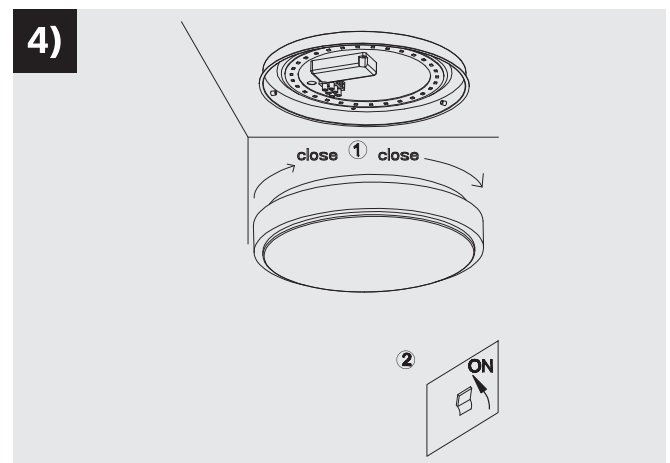
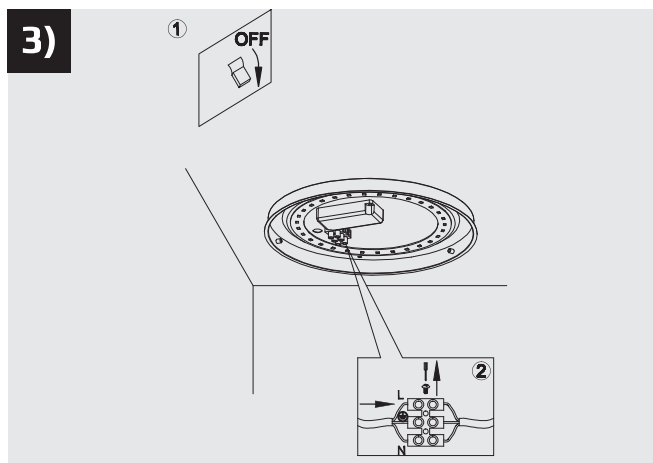
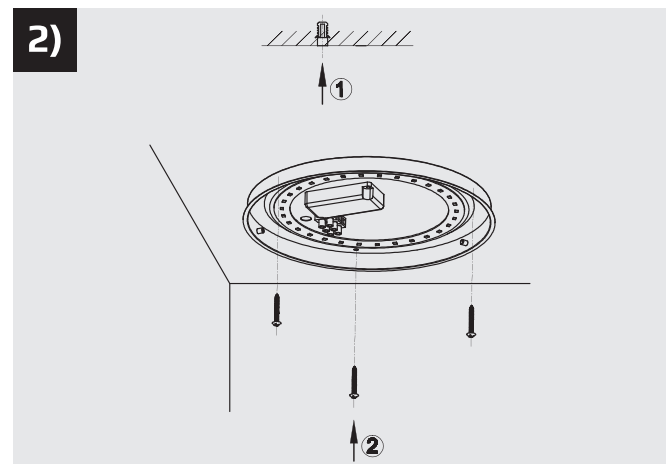
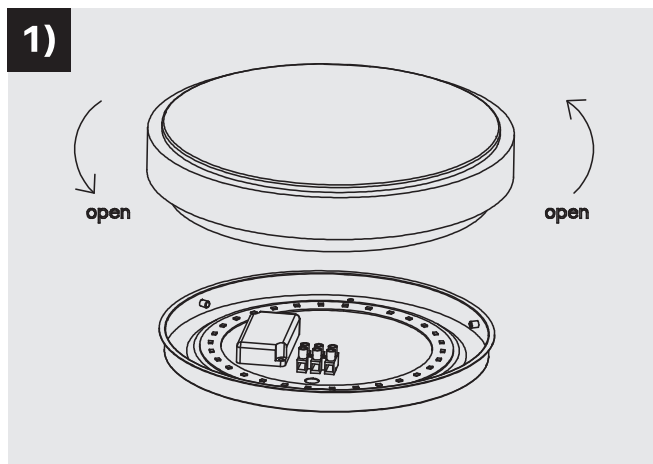
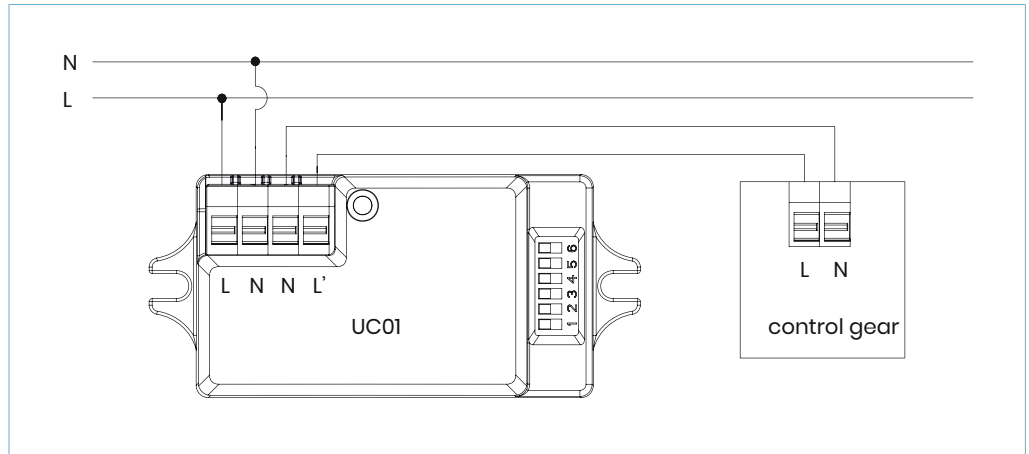


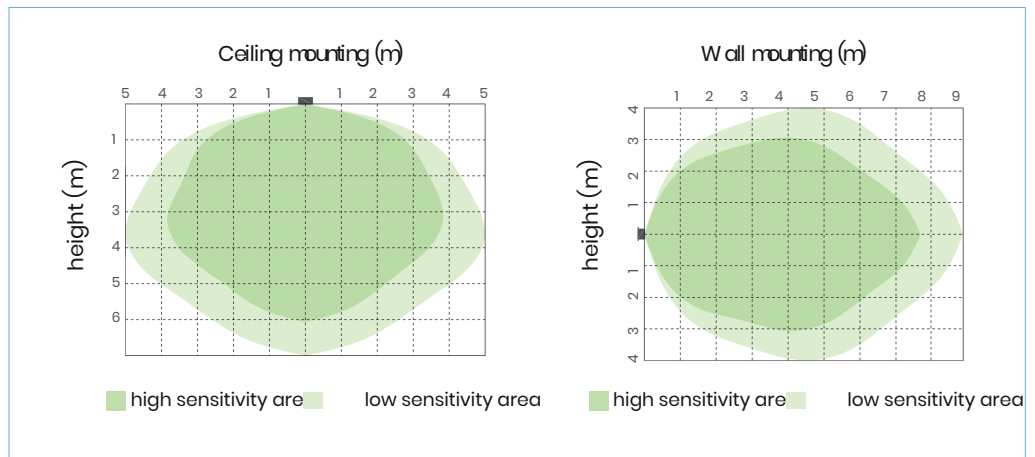
PL/ Instrukcja montażu  
 EN/ Installation instructions  
 DE/ Montageanleitung  
 FR/ Instructions de montage  
 ES/ Instrucciones de montaje  
 IT/ Istruzioni di montaggio  
 CZ/ Montážní návod  
 SK/ Návod na montáž  
 HU/ Szerelési utasítások  
 RU/ Инструкция по сборке



Wiring



Detection pattern



Settings

1. Sensitivity

Sensitivity can be adjusted by selecting the combination on the DIP switches for different applications.

- I - 100%
- II - 75%
- III - 50%
- IV - 10%



	1	2	
I	●	●	100%
II	●	○	75%
III	○	●	50%
IV	○	○	10%

2. Hold-time

Hold-time refers to the time period that the light remains 100% on if no more movement is detected.

- I - 5s
- II - 90s
- III - 5min
- IV - 15min



	3	4	
I	●	●	5s
II	●	○	90s
III	○	●	5min
IV	○	○	15min

3. Daylight sensor

Different daylight threshold can be preset on DIP switches. Light will always turn on upon movement if daylight sensor is disabled.

- I - Disable
- II - 50Lux
- III - 10Lux
- IV - 2Lux



	5	6	
I	●	●	Disable
II	●	○	50Lux
III	○	●	10Lux
IV	○	○	2Lux